

GENERAL DESCRIPTION

The AS2930 family is a positive voltage linear regulator Developed utilizing CMOS technology featured low quiescent Current(30uA typ.),low dropout voltage, and high output Voltage accuracy, making them ideal for battery applications. EN input connected to CMOS has low bias current. The Space-saving SOT23-5 package is attractive for “Pocket” and “Hand Held” application.

These rugged devices have both Thermal Shutdown, and current Limit to prevent device failure under the “Worst” of operating Conditions.

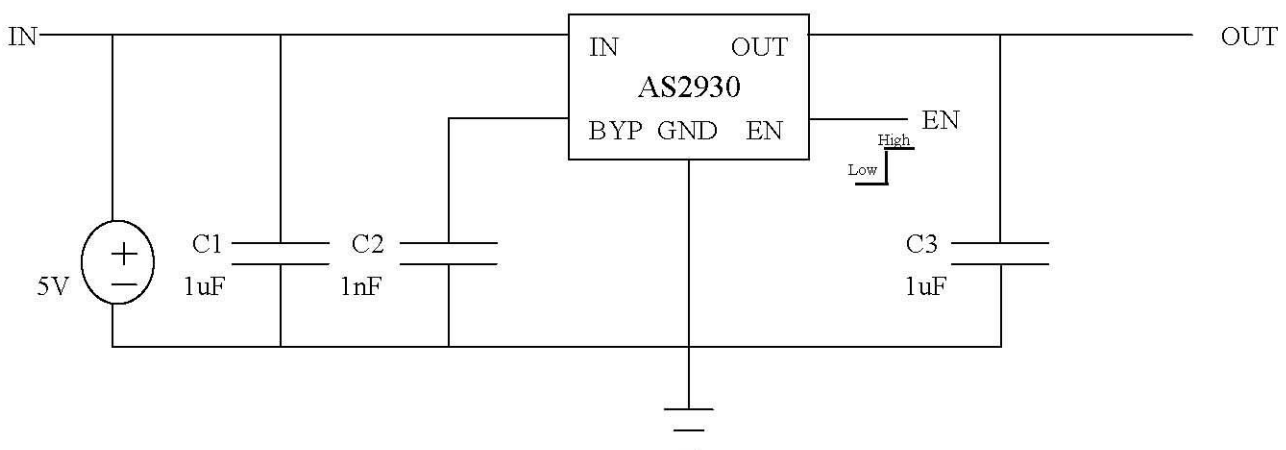
In application requiring a low noise, regulated supply, place a 1000Pf capacitor between Bypass and Ground.

The AS2930 is stable with a low ESR output capacitance of 1.0Uf or greater.

Applications

- ◆ Battery-powered devices
- ◆ Personal communication devices
- ◆ Home electric/electronic application
- ◆ PC peripherals

TYPICAL APPLICATIONS



FEATURES

- ◆ Very Low Dropout Voltage
- ◆ Low Current Consumption: Typ. 30uA, Max 35uA
- ◆ Output Voltage: 1.8V, 2.5V, 2.8V, 3.0V and 3.3V
- ◆ High Accuracy Output Voltage: +/-1.5%
- ◆ Guaranteed 300mA output
- ◆ Input Range up to 7.0V
- ◆ Thermal Shutdown
- ◆ Current Limiting
- ◆ Stability with Low ESR Capacitors
- ◆ Compact Package: SOT23-5
- ◆ Factory Pre-set Output Voltage
- ◆ Low Temperature Coefficient