

Fast Ultra High-PSRR, Low-Noise 300mA CMOS LDO in SOT-23 Package

General Description

The AS2931 features ultra-high power supply rejection ratio, low output voltage noise, low dropout voltage, low quiescent current and fast transient response. It guarantees delivery of 300mA output current and supports preset output voltages fixed 1.2V,1.5V,1.8V, 2.5V,2.8V,3.0V 3.3V.

Based on its low quiescent current consumption, the AS2931 is ideal for battery-powered applications. The high power supply rejection ratio of the AS2931 holds well for low input voltages typically encountered in battery-operated systems. The regulator is stable with small ceramic capacitive loads (1 μ F typical). The AS2931 is Available in miniature 3-pin SOT-23 package.

A1semi products are Pb-free and RoHS compliant.

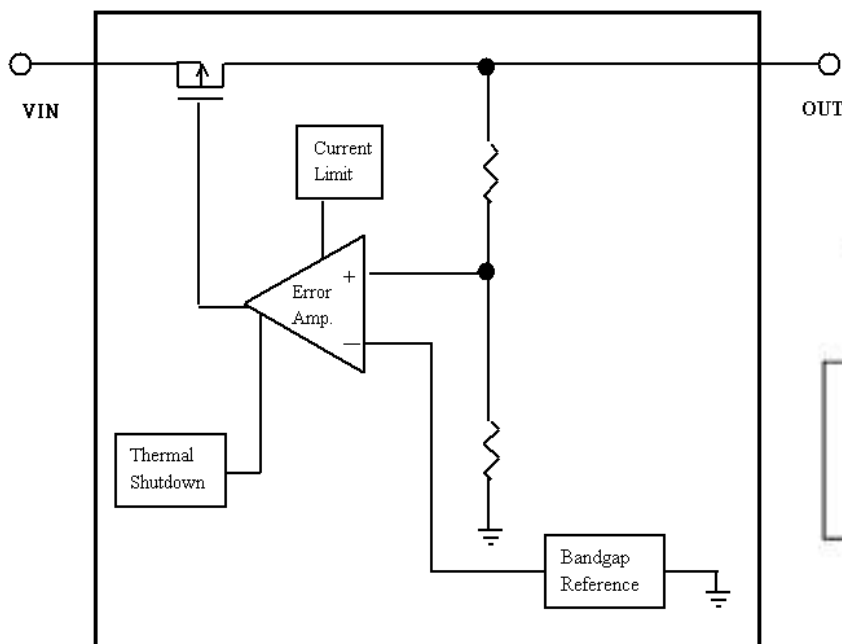
Features

- 300mA guaranteed output current
- 62dB typical PSRR at 1kHz
- 110 μ V RMS output voltage noise (10Hz to 100kHz)
- 290mV typical dropout at 300mA
- 57 μ A typical quiescent current
- Fast line and load transient response
- 2.2V to 5.5V input range
- Stable with small ceramic output capacitors
- Over temperature and over current protection
- \pm 2% output voltage tolerance

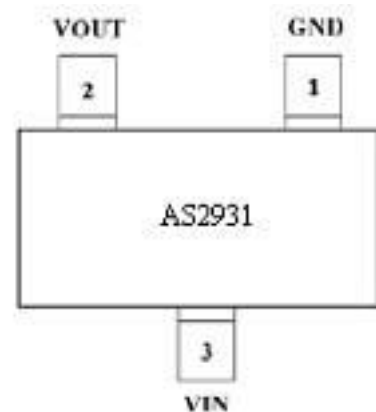
Applications

- Wireless handsets
- PCMCIA cards
- DSP core power
- Hand-held instruments
- Battery-powered systems
- Portable information appliances

Functional Block Diagram



Pin Configuration



A1semi Electronics Ltd . reserves the right to make changes to improve reliability or manufacturability without notice, and customers are advised to obtain the latest version of relevant information prior to placing orders.