

General Description

The AS1085 is a series of low dropout positive voltage regulators with a maximum dropout of 1.5V at 3A of load current.

The AS1085 is available in 1.5V, 1.8V, 2.5V, 2.85V, 3.3V, 5.0V and adjustable versions. The fixed versions integrate the adjust resistors. The adjustable version can set the output voltage with two external resistors.

The series features on-chip thermal shutdown. It also includes a bandgap reference and a current limiting circuit.

The AS1085 series is available in standard packages of TO-263 (2 and 3 lead), TO-220 and TO-252.

Features

- Available in 1.5V, 1.8V, 2.5V, 2.85V, 3.3V, 5.0V and adjustable versions
- Low dropout voltage: typical 1.3V at 3A
- Current limiting and thermal protection
- Low dropout voltage
- Output current: 3A
- Current limit: 4.5A
- Operating junction temperature: 0 ~ 125°C
- Line regulation: 0.015% (typ.)
- Load regulation: 0.1% (typ.)

Applications

- High efficiency linear regulators
- Battery charger
- Post regulation for switching supplies
- Microprocessor supply
- Mother board power supplies
- DVD - Video player
- Telecom equipment
- Set top boxes and web boxes modules' supply

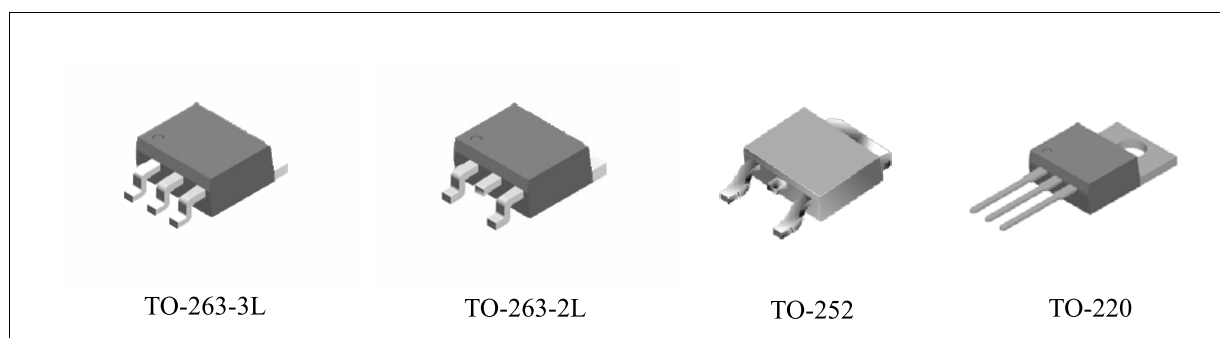


Figure 1. Package Types of AS1085