

**Features:**

- Two low dropout voltage regulators
- 150mA output current for each LDO
- 25uA operating supply current per LDO
- Low 27uVRMS output noise
- Standby Mode: 0.1uA
- Low 200mV dropout at 100mA load
- 65dB PSRR at 1kHz
- Excellent Line regulation: 0.05%/V
- Independent Shutdown controls
- 1.2V to 5.0V Factory-Preset Output
- Output Current Limit
- Highly Accurate:  $\pm 2\%$  ( $\pm 1\%$  customized)

**Applications:**

- Cellular phones
- Cordless phones and radio communication equipment
- Battery Powered equipment
- Notebook and hand-hold equipment
- Wireless LAN
- GPS receivers

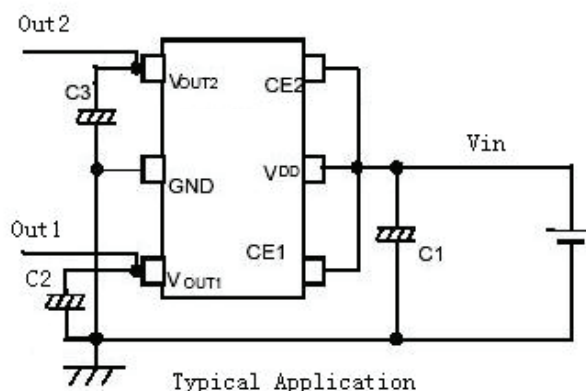
**General Description:**

The AS2815 dual, low-noise, low-dropout regulator delivers at least 150mA of continuous output current. The output voltage for each regulator is set independently by trimming. Voltages are selectable in 100mV steps within a range of 1.2V to 5.0V. Typical output noise is 27uVrms, and PSRR is 65dB at 1KHz. The AS2815 includes two independent logic-controlled shutdown inputs and allows the output of each regulator to be turned off independently.

The AS2815 includes high accuracy voltage reference, error amplifier, current limit circuit and output driver module.

The AS2815 has excellent load and line transient response and good temperature characteristics, which can assure the stability of chip and power system. And it uses trimming technique to guarantee output voltage accuracy within  $\pm 2\%$ .

The AS2815 is available in SOT-23-6 package which is lead(Pb)- free

**AS2815 Typical Application Circuit****AS2815 Typical Performance Characteristics:**