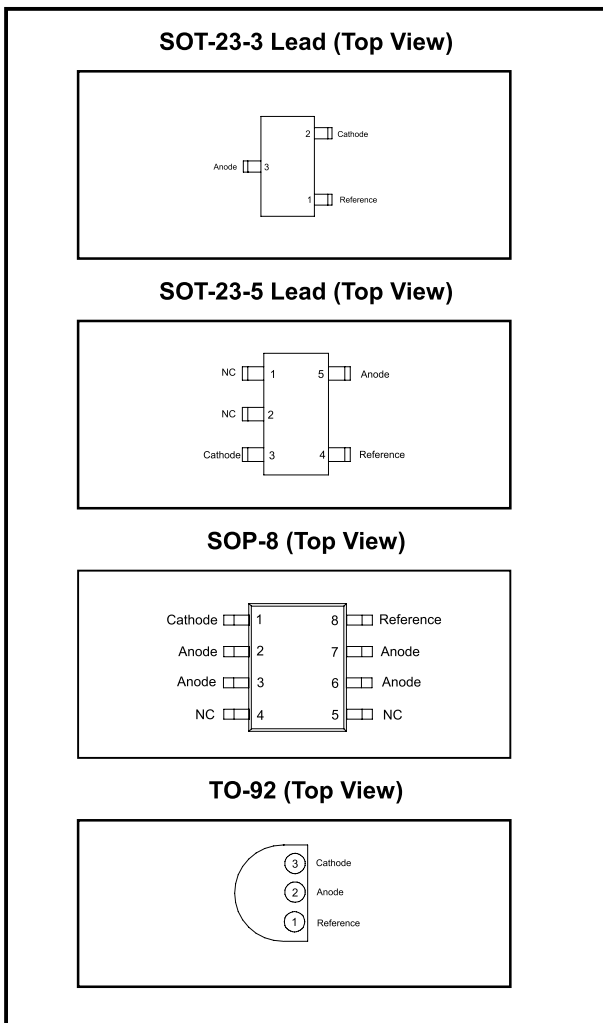


DESCRIPTION

The AS432 is a low voltage three terminal adjustable shunt regulator with a guaranteed thermal stability over applicable temperature ranges. The output voltage can be set to any value between V_{REF} (approximately 1.24 V) to 12V with two external resistors (see application circuit). This device has a typical output impedance of 0.25Ω . Active output circuitry provides a very sharp turn on characteristic, making this device excellent replacement for Zener diodes in many applications.

The AS432 is characterized for operation from 0°C to 105°C , and four package options (SOT-23-3, SOT-23-5, SOP-8 and TO-92) allow the designer the opportunity to select the proper package for their applications.

PIN CONFIGURATIONS



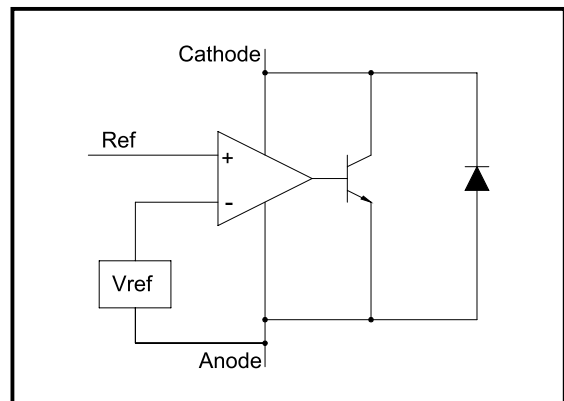
FEATURES

- Low voltage operation (1.24V)
- Adjustable output voltage $V_0 = V_{REF}$ to 12V
- Wide operating current range 60 μ A to 100mA
- Low dynamic output impedance 0.25Ω typ.
- Trimmed bandgap design up to $\pm 0.5\%$.
- ESD rating is 4KV(Per MIL-STD-883D).

APPLICATIONS

- Linear Regulators
- Adjustable Supplies
- Switching Power Supplies
- Battery Operated Computers
- Instrumentation
- Computer Disk Drives

BLOCK DIAGRAM



SYMBOL DIAGRAM

