

Description

The AS6306 is a step-up DC/DC converter specifically designed to drive white LEDs with a constant current. The device can drive two, three, or fourteen LEDs in series from a Li-Ion cell. Series connection of the LEDs provides identical LED current resulting in uniform brightness and eliminating the need for ballast resistors. AS6306 switches at 1.2MHz, allowing to use of any tiny external components. The output capacitor can be as small as 1µF, saving space and cost versus alternative solutions. A low 100mV feedback voltage minimizes power loss in the current setting resistor for better efficiency.

AS6306 is available in low profile SOT-23-5 package.

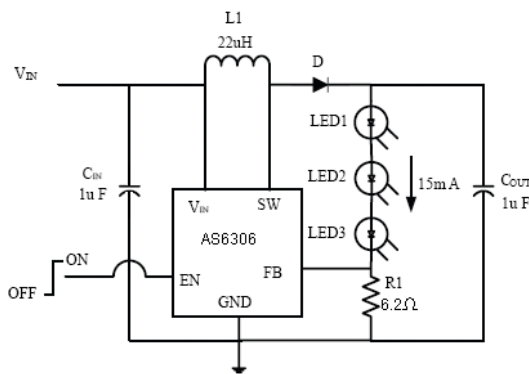
Features

- Integrate Open Circuit Protection.
- High Efficiency: 87% Typical.
- Drives Up to Fourteen LEDs.
- Low feedback voltage: 100mV
- Fast 1.2MHz Switching Frequency.
- 50Hz to 1KHz PWM.
- Requires Only 1µF Output Capacitor.
- Low Profile SOT-23-5 Package.

Application

- Cellular Phones
- PDAs, Handheld Computers
- Digital Camera
- MP3 Players
- GPS Receivers

Typical Application



Pin Configuration

