

Features:

- ◆ NC Switch Ron 0.5Ω max (+2.7V Supply)
- ◆ NO Switch Ron 0.8Ω max (+2.7V Supply)
- ◆ Ron Match Between Channels 0.06Ω (max)
- ◆ Ron Flatness Over Signal Range 0.15Ω (max)
- ◆ +1.8V to +5.5V Single-Supply Operation
- ◆ Rail-to-Rail[®] Signal Handling
- ◆ 1.8V Logic Compatibility
- ◆ Low Crosstalk: -90dB (100kHz)
- ◆ High Off-Isolation: -65dB (100kHz)
- ◆ THD: 0.03%
- ◆ 50nA (max) Supply Current
- ◆ Low Leakage Currents

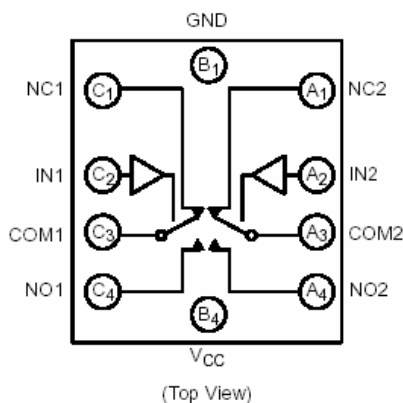
Applications:

- ◆ Portable Device
- ◆ Personal Media Player
- ◆ Cellular Phones
- ◆ Speaker Headset Switching
- ◆ Power Routing
- ◆ Relay Replacement Audio and Video Signal Routing Communications Circuits

Description:

The AS4684 is a low on-resistance (Ron), low voltage, dual single-pole/double-throw (SPDT) analog switches operate from a single +1.8V to +5.5V supply. The Ron for the Normally-Closed switch is 0.5Ω(max) and for the Normally-Open is 0.8Ω (max) at a +2.7V supply. The AS4684 feature break-before-make switching action (2ns) with $t_{ON} = 50ns$ and $t_{OFF} = 40ns$ at +3V.

The digital logic inputs are 1.8V logic-compatible with a +2.7V to +3.3V supply. The AS4684 are packaged in the chip scale package (UCSP)[™], significantly reducing the required PC board area. The chip occupies only a 2.0mm X 1.50mm area. The 4 X 3 array of solder bumps are spaced with a 0.5mm bump pitch.

Pin Configuration:**Order Information:**

Order Number	Temp Range	Package
AS4684CS/TR-LF	-40°C to +85°C	12 UCSP