

**Description:**

AS809 is a series of high precision voltage detector with ultra low current consumption (500nA typ. at  $V_{DD}=3.0V$ ) and a built-in delay circuit. It can work at very low voltage, which makes it perfect for system reset.

AS809 is composed of high precision voltage reference, comparator, delay circuit, output driver and resistor array. Internally preset detect voltage has a low temperature drift and requires no external trimming.

Two type of output, CMOS and N-channel open-drain are available.

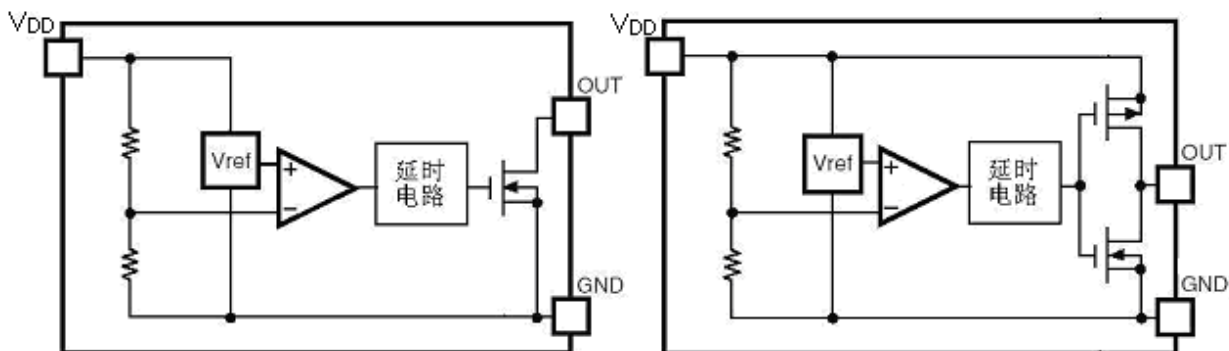
AS809 is available in SOT-23 which is Pb free.

**Features:**

- High-precision detection Voltage:  $\pm 2\%$
- Detection Voltage: 0.9V~6.0V
- Built-in Power on Reset Delay Time circuit: Refer to Selection Guide
- Operating Voltage range: 0.7V~10V
- Ultra-low current consumption: 500nA typ. (at  $V_{DD}=3.0V$ )
- Two Output forms : CMOS and N-channel open-drain (Active Low)

**Application:**

- Power monitor for portable equipment such as PDA,DSC,Mobile phone,Notebook,MP3
- CPU and Logic Circuit Reset
- Battery Checker
- Battery Back-up Circuit
- Power Failure Detector

**Block diagram:****N Channel Open Drain Type****CMOS Output Type**