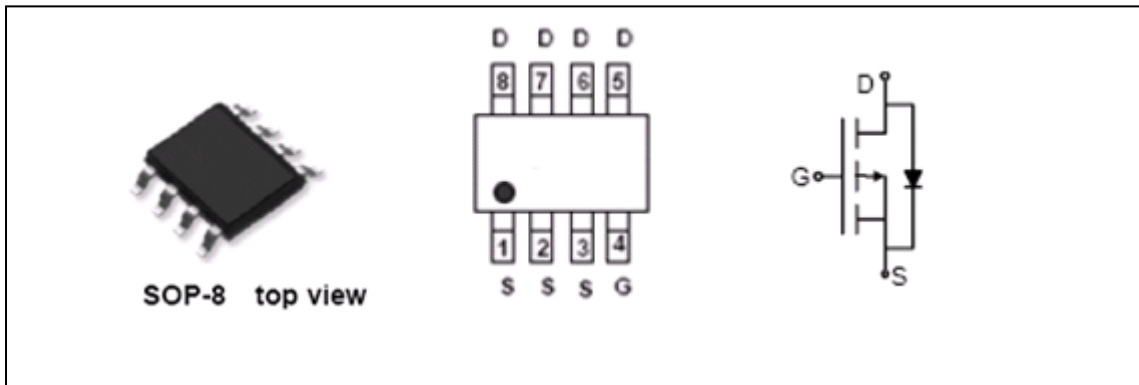


PRODUCT SUMMARY		
$V_{DSS}$	$I_D$	$R_{DS(ON)(m\Omega)Max}$
-30V	-5.3A	<53m $\Omega$ @ $V_{GS}=-10V$
		<85m $\Omega$ @ $V_{GS}=-4.5V$

## FEATURES

- ◆ High Power and Current handling capability
- ◆ Lead Free product is acquired
- ◆ Surface Mount Package



## ORDER INFORMATION

Order Number	Package	Packing	Remark
ASM9435D/TR-LF	SOP-8	Tape&Reel,MPQ=2500	Lead-Free

## ABSOLUTE MAXIMUM RATINGS ( $T_A=25^{\circ}$ unless otherwise noted)

Parameter	Symbol	Ratings	Unit
Drain-Source Voltage	$V_{DSS}$	-30	V
Gate-Source Voltage	$V_{GSS}$	$\pm 20$	V
Drain Current-continuous <sup>Note1</sup>	$I_D$	-5.3	A
	$I_{DM}$	-20	A
Maximum Power Dissipation	$P_D$	2.5	W
Operating Junction and Storage Temperature Range	$T_J, T_{STG}$	-50 to 150	$^{\circ}C$
Thermal Resistance, Junction-to-Ambient <sup>Note2</sup>	$R_{\theta ja}$	50	$^{\circ}C/W$