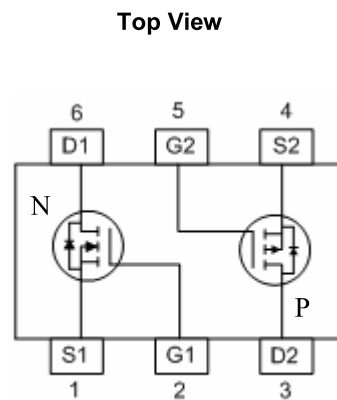


Features

PRODUCT SUMMARY (N-Channel)			
V _{DSS}	V _{GS}	I _D	R _{DS(ON)}
20V	±12V	1A	270mΩ@V _{GS} =1.8V
			180mΩ@V _{GS} =2.5V
			140mΩ@V _{GS} =4.5V

PRODUCT SUMMARY (P-Channel)			
V _{DSS}	V _{GS}	I _D	R _{DS(ON)}
-20V	±12V	-0.86A	450mΩ@V _{GS} =-1.8V
			350mΩ@V _{GS} =-2.5V
			260mΩ@V _{GS} =-4.5V

Pin Configuration



Order Information

Part No.	Package	Packing	Remark
ASM2620C6/TR-LF	SOT-363	Tape & Reel, MPQ=3000	Lead-Free

Absolute Maximum Ratings (T_A=25°C, unless otherwise specified)

Parameter	Symbol	N-MOS Ratings	P-MOS Ratings	Units
Drain-Source Voltage	V _{DS}	20	-20	V
Gate-Source Voltage	V _{GS}	±12	±12	V
Drain Current ^{Note1} @Continuous Pulsed	I _D	1.0	-0.86	A
		2	-1.5	
Power Dissipation ^{Note1}	P _D	600		mW
Operating and Storage Temperature Range	T _J , T _{STG}	-55 to +150		°C