

SMD 3014 White LED

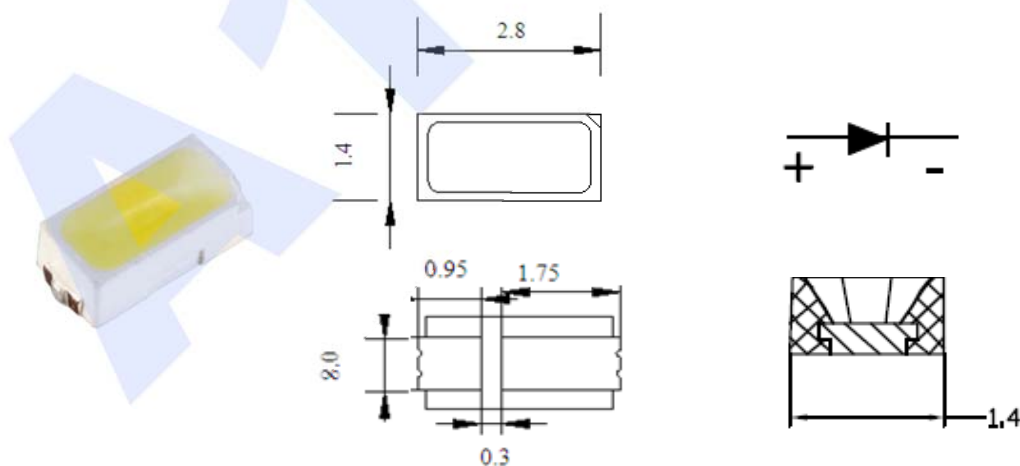
Introduction

SMD 3014 white LED is packaged with an electrically-isolated thermal path and performs high flux, high efficiency and good reliability, providing an excellent LED for home lighting, commercial lighting, decorating lighting and other lighting areas.

Feature

- ANSI compliant color bins
- High flux, high efficiency
- Viewing angle: 120°
- ESD protection : $ESD_{HBM} > 4000 V$
- Reflow solderable

Mechanical Dimension



Note: Unit mm, measurement tolerance: $\pm 0.25mm$.