

## DESCRIPTION

AS2831 dual, low-noise, low-dropout regulator delivers at least 300mA of continuous output current. The output voltage for each regulator is set independently by trimming. Output voltages are selectable in 100mV steps within a range of 1.0V to 4.5V. Typical output noise is 47µV<sub>rms</sub>, and PSRR is 73dB at 100Hz. The AS2831 includes two independent logic-controlled shutdown inputs and allows the output of each regulator to be turned off independently.

AS2831 includes high accuracy voltage reference, error amplifier, current limit circuit and output driver module.

AS2831 has excellent load and line transient response and good temperature characteristics, which can assure the stability of chip and power system. And it uses trimming technique to guarantee output voltage accuracy within ±2%.

AS2831 is available in SOT-23-6 package which is lead(Pb)-free

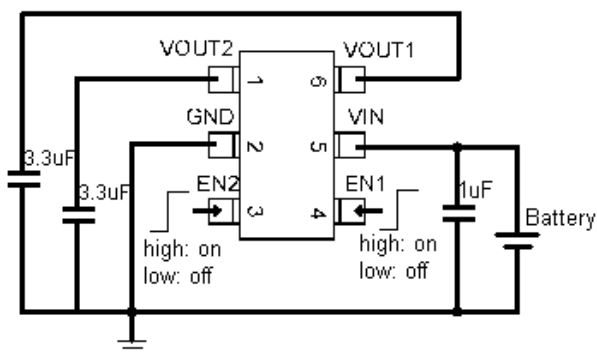
## FEATURES

- Two low dropout voltage regulators
- 300mA output current for each LDO
- 35µA operating supply current per LDO
- Low 47µV<sub>RMS</sub> output noise
- Standby Mode: 0.1µA
- Low 300mV dropout at 300mA load
- 73dB PSRR at 100Hz
- Excellent Line regulation: 0.05%/V
- Independent Shutdown controls
- 1.0V to 4.5V Factory-Preset Output
- Output Current Limit
- Highly Accurate: ±2% (±1% customized)

## APPLICATIONS

- Cellular phones
- Cordless phones and radio communication equipment
- Battery Powered equipment
- Notebook and hand-hold equipment
- Wireless LAN
- GPS receivers

## TYPICAL APPLICATION



### NOTE:

Input capacitor ( $C_{in}=1\mu F$ ) and Output capacitor ( $C_{out}=1\mu F/3.3\mu F$ ) are recommended in all application circuit.

## ELECTRICAL CHARACTERISTICS

