

■ General Description

AS2936 features ultra-high power supply rejection ratio, low output voltage noise, low dropout voltage, low quiescent current and fast transient response. It guarantees delivery of 300mA output current and supports adjustable output voltages by using two external resistors.

Based on its low quiescent current consumption and its less than 1uA shutdown mode of logical operation, the AS2936 is ideal for battery powered applications. The high power supply rejection ratio of the AS2936 holds well for low input voltages typically encountered in battery operated systems. The regulator is stable with small ceramic capacitive loads.

■ Features

- ◆ 300mA guaranteed output current
- ◆ 65dB typical PSRR at 1KHz
- ◆ 110uA RMS output voltage noise(10Hz to 100KHz)
- ◆ 290mV typical dropout at 300mA
- ◆ 57uA typical quiescent current
- ◆ Less than 1uA typical shutdown mode
- ◆ 2.2V to 5.5V input voltage
- ◆ 80uS typical turn-on time
- ◆ Fast line and load transient response
- ◆ Auto-discharge during chip disable
- ◆ Stable with small ceramic output capacitors
- ◆ Over temperature and over current protection
- ◆ $\pm 2\%$ output voltage tolerance

■ Application

- ◆ Cell phone and Smart phone
- ◆ PCMCIA Cards
- ◆ PMP/MP4
- ◆ Hand-held instruments
- ◆ Portable application
- ◆ Battery powered systems

■ Typical Application(Adjustable)

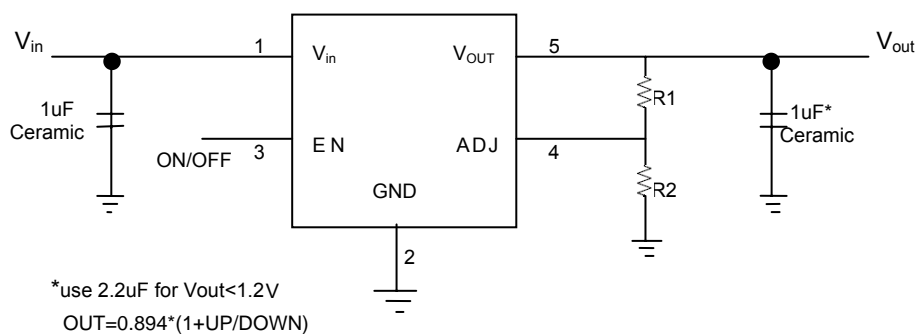


Fig.1