

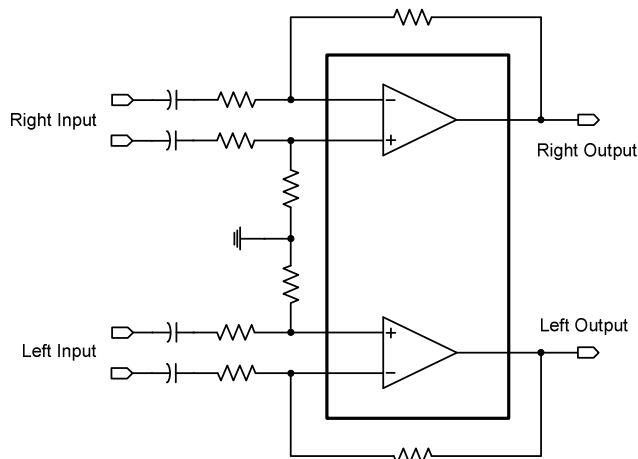
## General Description

The AS9632 is a 2-Vrms cap-less stereo line driver. The device is ideal for single supply electronics. Cap-less design can eliminate output dc-blocking capacitors for better low frequency response and save cost. The AS9632 is capable of delivering 2-Vrms output into a 10k $\Omega$  load with 3.3V supply. The gain settings can be set by users from  $\pm 1V/V$  to  $\pm 10V/V$  externally, and gain can be configured individually for R/L channel. The AS9632 has built-in active-mute control for pop-less audio on/off control. The AS9632 has internal and external under voltage protection to prevent POP noise. Built-in de-pop control sequence also help AS9632 to be a pop-less device.

## Applications

- ◆ LCD / PDP TVs
- ◆ DVD players
- ◆ Set-Top Boxes
- ◆ Home Theater in Box

## Typical Application



## Features

- ◆ Operation Voltage: 3.0V to 3.6V
- ◆ Cap-less Output
  - Eliminates Output Capacitors
  - Improves Low Frequency Response
  - Reduces POP/Clicks
  - Reduce Board Area and Component Cost
- ◆ Low Noise and THD
  - SNR > 102dB
  - Typical Vn < 12uVrms
  - THD+N < 0.02% at 20Hz~20kHz
- ◆ Maximum Output Voltage Swing into 10k $\Omega$  Load
  - 2Vrms at 3.3V Supply Voltage
- ◆ 600 $\Omega$  Output Load Compliant
- ◆ Differential Input, single-Ended Output
- ◆ External Gain Setting from 1V/V to 10V/V
- ◆ Fast Start-up Time : 0.5ms
- ◆ Integrated De-Pop Control
- ◆ External Under Voltage Protection
- ◆ Thermal Protection
- ◆ Active Mute Control for Pop-less Audio ON/OFF Control
- ◆ +/-8kV IEC ESD Protection at line outputs
- ◆ TSSOP-14